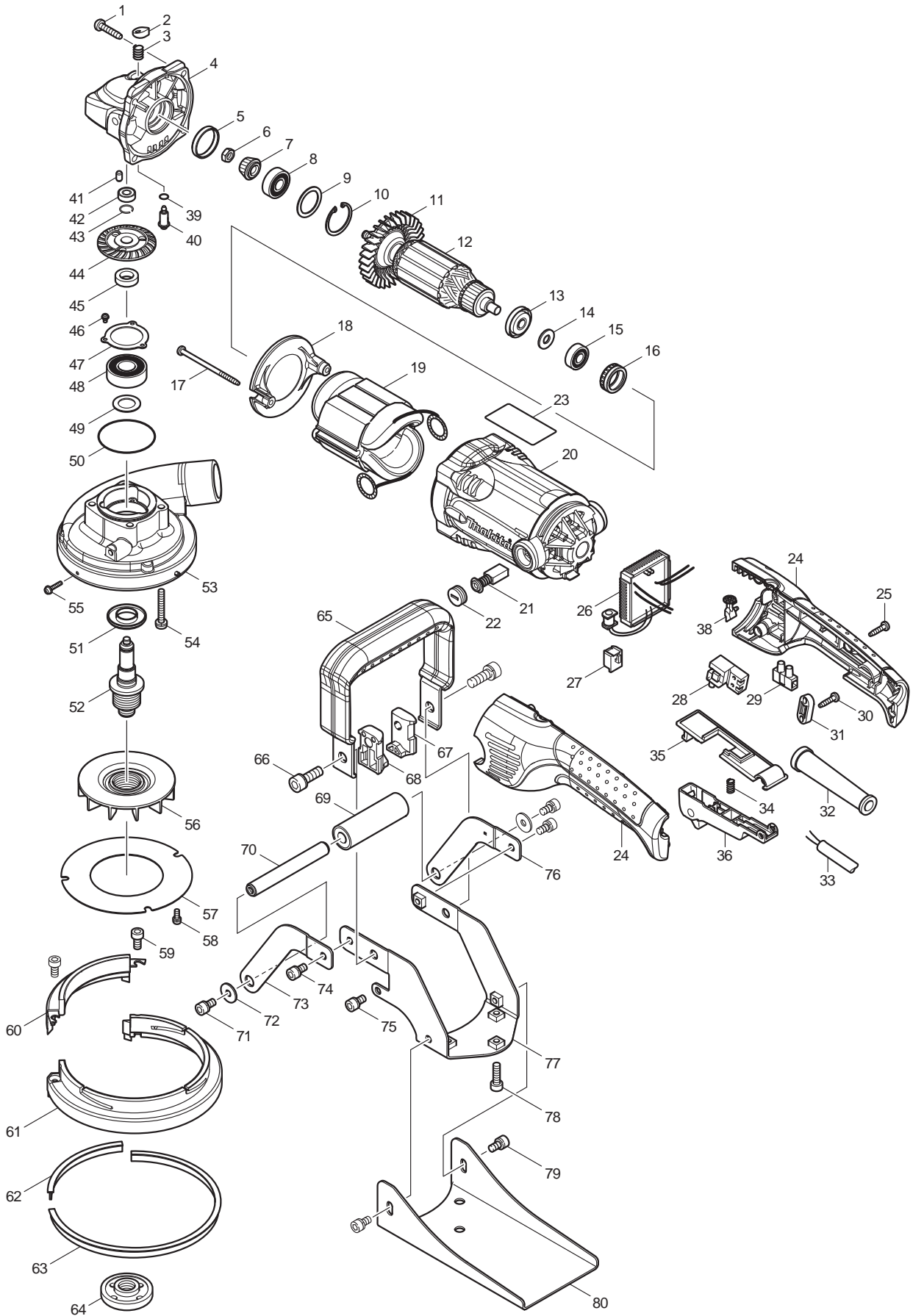




12 - 2010
PC5001C
5" Concrete Planer



Item No	Type	Ref	Part No	Description	Qty	Unit
001			266459-3	TAPPING SCREW 5X25	4	PC.
002			417771-6	PIN CAP	1	PC.
003			234057-1	COMPRESSION SPRING 8	1	PC.
004			318158-4	GEAR HOUSING	1	PC.
005			424051-3	RUBBER RING 26	1	PC.
006			264010-3	HEX.NUT M7	1	PC.
007			227520-1	SPIRAL BEVEL GEAR 11	1	PC.
008	2		210059-1	BALL BEARING 6000DDW (Nylon)	1	PC.
009			267352-4	FLAT WASHER 22	1	PC.
010			962107-9	RETAINING RING (INT) R-30	1	PC.
011			240094-5	FAN 70	1	PC.
012	3		513881-8	* ARMATURE ASS'Y 115V	1	PC.
		INC.		* INC. 11, 13-15	1	PC.
013			681660-3	INSULATION WASHER	1	PC.
014			267281-1	FLAT WASHER 8	1	PC.
015	2		210005-4	* BALL BEARING 608DDW	1	PC.
016			421720-7	RUBBER RING 22	1	PC.
017			266325-4	TAPPING SCREW 4X70	2	PC.
018			419961-7	BAFFLE PLATE	1	PC.
019			525781-0	FIELD ASS'Y 115V	1	PC.
		INC.	654020-2	RING TERMINAL	2	PC.
		INC.	654501-6	CONNECTOR P-1.25	2	PC.
020			140019-8	MOTOR HOUSING COMPLETE	1	PC.
		INC.	643751-8	BRUSH HOLDER	2	PC.
021	2		194994-0	CARBON BRUSH CB-253 2PC/SET (W/ ORIGIN)	1	SET
022			643750-0	BRUSH HOLDER CAP	2	PC.
023			866331-5	PC5001C NAME PLATE	1	PC.
024			188630-8	HANDLE SET	1	SET
025			266326-2	TAPPING SCREW 4X18	4	PC.
026			631797-6	CONTROLLER	1	PC.
027			418518-1	SLEEVE	1	PC.
028	3		651922-3	SWITCH TG71B, SINGLE, W/O LOCK	1	PC.
029			654575-7	TERMINAL BLOCK	1	PC.
030			266326-2	TAPPING SCREW 4X18	2	PC.
031			687123-7	STRAIN RELIEF	1	PC.
032			682574-9	CORD GUARD 10-90	1	PC.
033			664276-9	CORD W/PLUG 2P-16-5.0M, SJ	1	PC.
034			233117-6	COMPRESSION SPRING 6	1	PC.
035			418519-9	SWITCH BASE	1	PC.
036			158401-7	SWITCH LEVER A COMPLETE	1	PC.
038			450184-8	LENZ	1	PC.
039			213977-2	O RING 7	1	PC.
040			256505-0	SHOULDER PIN 5	1	PC.
041			263002-9	RUBBER PIN 4	1	PC.
042			210033-9	BALL BEARING 696ZZ	1	PC.
043			233950-6	RING SPRING 11	1	PC.
044			227521-9	SPIRAL BEVEL GEAR 35A	1	PC.
045			257171-6	RING 12	1	PC.
046			911003-8	PAN HEAD SCREW M3X6	3	PC.
047			285728-3	BEARING RETAINER 39	1	PC.
048			211241-5	BALL BEARING 6202DDW	1	PC.
049			253853-8	FLAT WASHER 15	1	PC.
050			213624-5	O RING 48	1	PC.

Item No	Type	Ref	Part No	Description	Qty	Unit
051			345464-4	LABYRINTH RING	1	PC.
052			325623-6	SPINDLE A	1	PC.
053	2		141021-4	SKIRT B COMPLETE	1	PC.
054			911256-9	PAN HEAD SCREW M5X35	4	PC.
055			911024-0	PAN HEAD SCREW M3X14	1	PC.
056			240114-5	FAN 85	1	PC.
057			346045-7	SEPARATOR	1	PC.
058			911115-7	PAN HEAD SCREW M4X10, W/WASHER&BOND	3	PC.
059			922312-0	HEX. SOCKET HEAD BOLT M6X12	2	PC.
060	2		424526-2	DUST COVER CAP	1	PC.
061	2		424525-4	DUST COVER	1	PC.
062	2		743341-8	BRUSH B	1	PC.
063	2		743340-0	BRUSH A	1	PC.
064			224568-4	LOCK NUT 5/8-45	1	PC.
065			273529-1	GRIP	1	PC.
066			922441-9	HEX. SOCKET HEAD BOLT M8X25	2	PC.
067			450190-3	SPACER B	1	PC.
068			450190-3	SPACER B	1	PC.
069			152179-4	FRONT ROLLER COMPLETE	1	PC.
070			321436-3	FRONT ROLLER SHAFT	1	PC.
071			922311-2	* HEX. SOCKET HEAD BOLT M6X12	2	PC.
072			253011-6	FLAT WASHER 6	2	PC.
073			346042-3	ROLLER HOLDER L	1	PC.
074			922311-2	HEX. SOCKET HEAD BOLT M6X12	2	PC.
075			922311-2	HEX. SOCKET HEAD BOLT M6X12	1	PC.
076			346043-1	ROLLER HOLDER R	1	PC.
077	1		140228-9	BASE HOLDER COMPLETE	1	PC.
		INC.	810527-0	CAUTION LABEL	1	PC.
	2		144017-4	BASE HOLDER COMPLETE	1	PC.
		INC.	810527-0	CAUTION LABEL	1	PC.
078	2		265498-0	HEX.SOCKET HEAD BOLT M6X20	3	PC.
079			922311-2	HEX. SOCKET HEAD BOLT M6X12	2	PC.
080			341840-0	BASE	1	PC.
081			253828-7	* FLAT WASHER 10 (ADDED, F/ARMATURE FAN SIDE)	1	PC.
100			849900-7	CARTON	1	PC.
200			654509-0	CONNECTOR 2-SD	1	PC.

ACCESSORIES

- See catalogue or visit www.makita.ca for more accessories -

A01			122853-8	DUST BAG ASS'Y	1	PC.
A02			410047-0	WRENCH HOLDER 5.6	1	PC.
A03			782425-7	LOCK NUT WRENCH 28	1	PC.
A04			783203-8	HEX. WRENCH 5	1	PC.
A05			140073-2	STEEL CARRYING CASE COMPLETE	1	PC.
		INC.	819351-8	MAKITA LOGO LABEL	1	PC.
A07			-----	DIAMOND CUP WHEELS		
A08			193956-5	DUST COVER ATTACHMENT	1	PC.

SERVICE CHANGES

1. Changes on Armature Assy

(TI#86782)

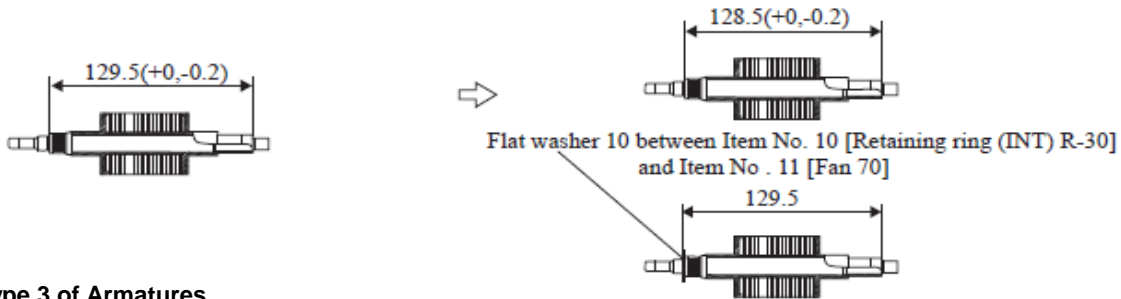
(TI#99386)

Item No.	Description	Type 1	Type 2	Type 3
12	Armature Assy	510126-5	513796-9	513881-8
15	Ball Bearing	210044-4		210005-4
81	Flat Washer 10	---		253828-7

Above parts are completely interchangeable as a set.

Type 1

Type 2



Type 3 of Armatures

Commutator is changed to increase durability

2. Changes on Brush A/B, Dust Cover and Dust Cover Cap (T/I# 97089)

Item No.	Description	Type 1	Type 2
60	Dust Cover Cap	424188-6	424526-2
61	Dust Cover	424187-8	424525-4
62	Brush B	443145-5	743341-8
63	Brush A	443144-7	743340-0
A06	Brush Set	194921-7	----

Above parts are completely interchangeable as a set.

TYPE 1

TYPE 2

